



**COASTER CYCLES  
VENTURE  
MAINTENANCE  
MANUAL**

Made in Montana

(406) 203-4422

[info@coastercycles.com](mailto:info@coastercycles.com)

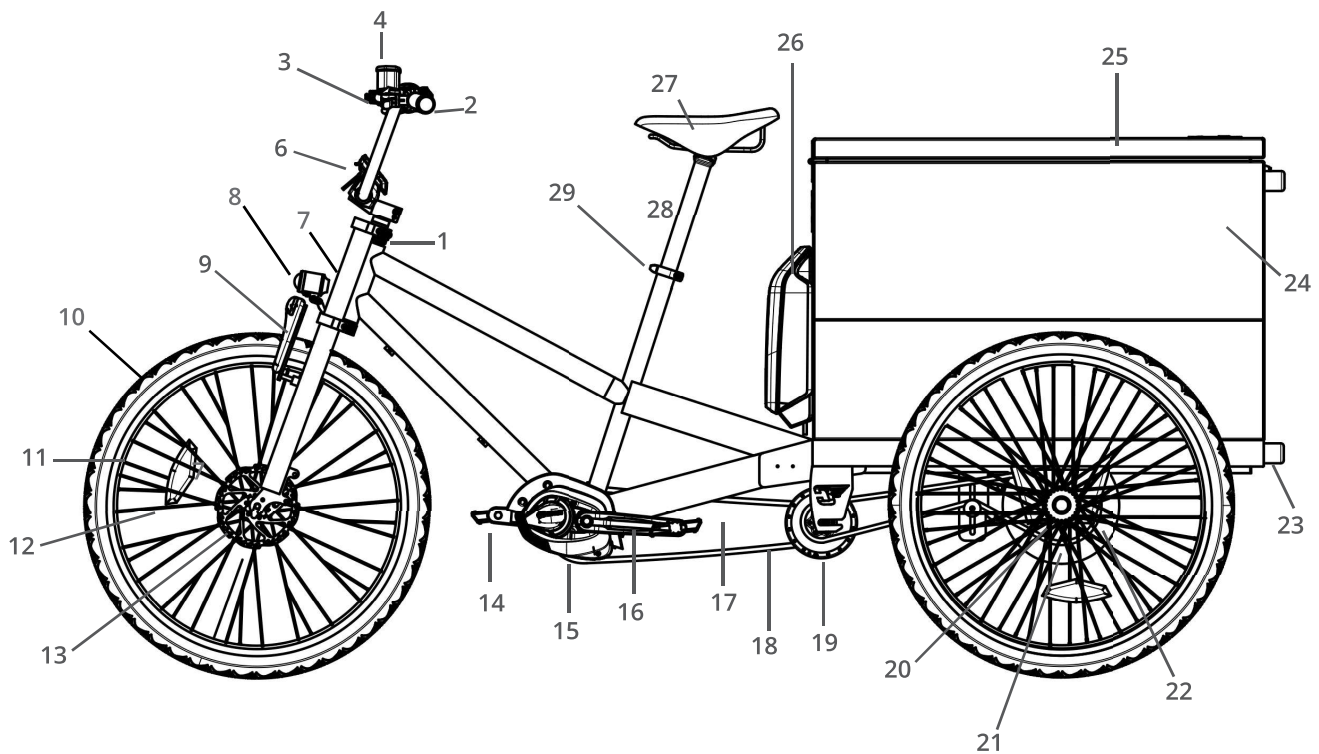
[coastercycles.com](http://coastercycles.com)

# INTRODUCTION

# VENTURE SPECIFICATIONS

<b>Paint</b>	Powder Coat Cardinal WH01
<b>Front Tire Size</b>	26" x 2.35"
<b>Rear Tire Size</b>	26" x 2.35" or 20" x 2.35"
<b>Weight</b>	170 lbs
<b>Dimensions (Inches)</b>	88 L x 36 W x 41 H
<b>Cargo Capacity</b>	13.5 cu ft
<b>Suggested Rider Height</b>	4'10" - 6'6"
<b>Max Rider Weight</b>	264 lbs
<b>Cargo Load Capacity</b>	200 lbs
<b>Recommended Tire Pressure</b>	35 psi
<b>Motor</b>	Bosch Cargo Line 85 Nm
<b>Battery</b>	36V 500Wh Lithium Ion
<b>Drivetrain</b>	Manual Shifting - Internal Geared Hub 380% Gear Range

# VENTURE COMPONENTS

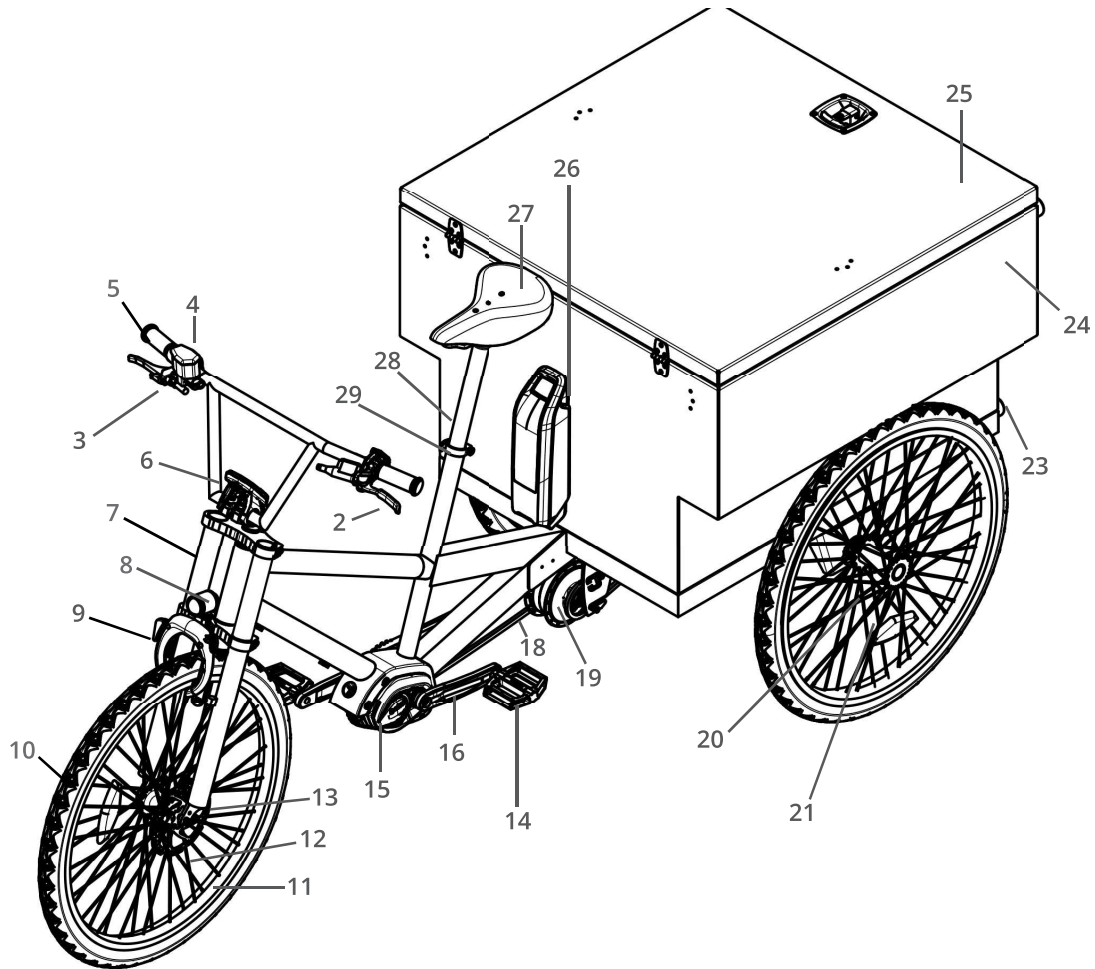


- 1. Headset
- 2. Front Brake Lever
- 3. Rear Brake Lever
- 4. Brake Fluid Reservoir
- 5. *Shifter*
- 6. Onboard Computer
- 7. Fork
- 8. Headlight
- 9. Frame Lock
- 10. Tire

- 11. Rim
- 12. Spoke
- 13. Disc Brake Rotor
- 14. Pedals
- 15. Bosch Motor
- 16. Crank Arm
- 17. Chain Guard
- 18. Chain
- 19. Mid-Drive
- 20. Speed Sensor

- 21. Speed Sensor Magnet
- 22. Rear Differential
- 23. Bumper
- 24. Cargo Box
- 25. Cargo Lid
- 26. Bosch Battery
- 27. Saddle
- 28. Seat Post
- 29. Seat Post Clamp

# VENTURE COMPONENTS



- 1. Headset
- 2. Front Brake Lever
- 3. Rear Brake Lever
- 4. Brake Fluid Reservoir
- 5. Shifter
- 6. Onboard Computer
- 7. Fork
- 8. Headlight
- 9. Frame Lock
- 10. Tire

- 11. Rim
- 12. Spoke
- 13. Disc Brake Rotor
- 14. Pedals
- 15. Bosch Motor
- 16. Crank Arm
- 17. Chain Guard
- 18. Chain
- 19. Mid-Drive
- 20. Speed Sensor

- 21. Speed Sensor Magnet
- 22. Rear Differential
- 23. Bumper
- 24. Cargo Box
- 25. Cargo Lid
- 26. Bosch Battery
- 27. Saddle
- 28. Seat Post
- 29. Seat Post Clamp

# MAINTENANCE

## SERVICE RECOMMENDATIONS (MILES)

COASTER VENTURE INSPECTION SCHEDULE	Daily	Weekly	Every 500	Every 1000
360° Visual Inspection	<b>x</b>			
Tire Pressure	<b>x</b>			
Lighting	<b>x</b>			
Battery	<b>x</b>			
Spoke Tension		<b>x</b>		
Chain Lubrication		<b>x</b>		
Chain Wear		<b>x</b>		
Cog Wear				<b>x</b>
Tire Wear	<b>x</b>		<b>x</b>	
Headset			<b>x</b>	
Pads - Front Disc Brakes			<b>x</b>	
Rotor - Front Disc Brakes			<b>x</b>	
Pads - Rear Disc Brakes			<b>x</b>	
Rotor - Rear Disc Brakes				<b>x</b>
Motor				<b>x</b>

# MAINTENANCE

COASTER VENTURE PART REPLACEMENT SCHEDULE (MILES)	Every 2000	3000
Rear Tires	x	
Front Tire	x	
Front Drive Chain	x	
Rear Drive Chain		x
Shifter Cables		x

## COASTER VENTURE REPLACEMENT PARAMETERS

### **Pads - Front Disc Brakes**

Pads must have >1mm of compound. Replace pads at 3000 miles regardless of thickness.

### **Rotor - Front Disc Brakes**

Rotor must be >1.8mm thick. Replace pads at 3000 miles regardless of thickness.

### **Pads - Rear Disc Brakes**

Replace when there is <1.5mm of brake pad left.

### **Rotor - Rear Disc Brakes**

When either side of the braking surface is worn by more than 0.5mm - 0.75mm.

### **Motor**

Have the motor of your Venture checked annually by a Bosch Service Center.

### **Headset**

Tighten star nut if the headset is not spinning smoothly or has play.

### **Lighting**

Replace any light if not working correctly.

# TOOL LIST

Tool	Used For
<b>Metric Allen Wrenches &amp; Hex Bits</b>	
3mm Allen Wrench	Bosch Controller, Enviolo Shifter, Abus Ring Lock, Bearing Set Screws
4mm Allen Wrench	Front Brake Lever, Front Brake Caliper, Stem, Fender, Bumpers, Headlight Screw
5mm Allen Wrench	Front Brake Caliper, Seatpost, Headset Screw, Rear Chain Tensioner
6mm Allen Wrench	Stem
8mm Allen Wrench	Crank Arm Bolt

## Metric Wrenches & Sockets

8mm Wrench	Abus Ring Lock
13mm Wrench	Rear Chain Tensioner, Box to Frame Hardware, Differential Hardware
15mm Wrench	Front Wheel Nuts, Mid-Drive Acorn Nuts

## Imperial Allen Wrenches & Hex Bits

1/8" Allen Wrench	Bearing Set Screws
3/16" Allen Wrench	Lock Collar Screws
1/4" Allen Wrench	Rear Brake Caliper Adjustment

## Imperial Sockets & Wrenches

1/4" Wrench	Rear Brake Bleeding
7/16" Wrench	Rear Brake Hose
9/16" Wrench	Rear Brake Caliper Hardware, Rear Brake Hose
1-7/16" Wrench	Rear Wheel Nuts

## Torx Bits & Wrenches

T25 Torx Wrench	Rear Brake Reservoir Screws, Front Brake Rotor Bolts, Mid-Drive Sprocket Screws
T30 Torx Wrench	Rear Brake Lever



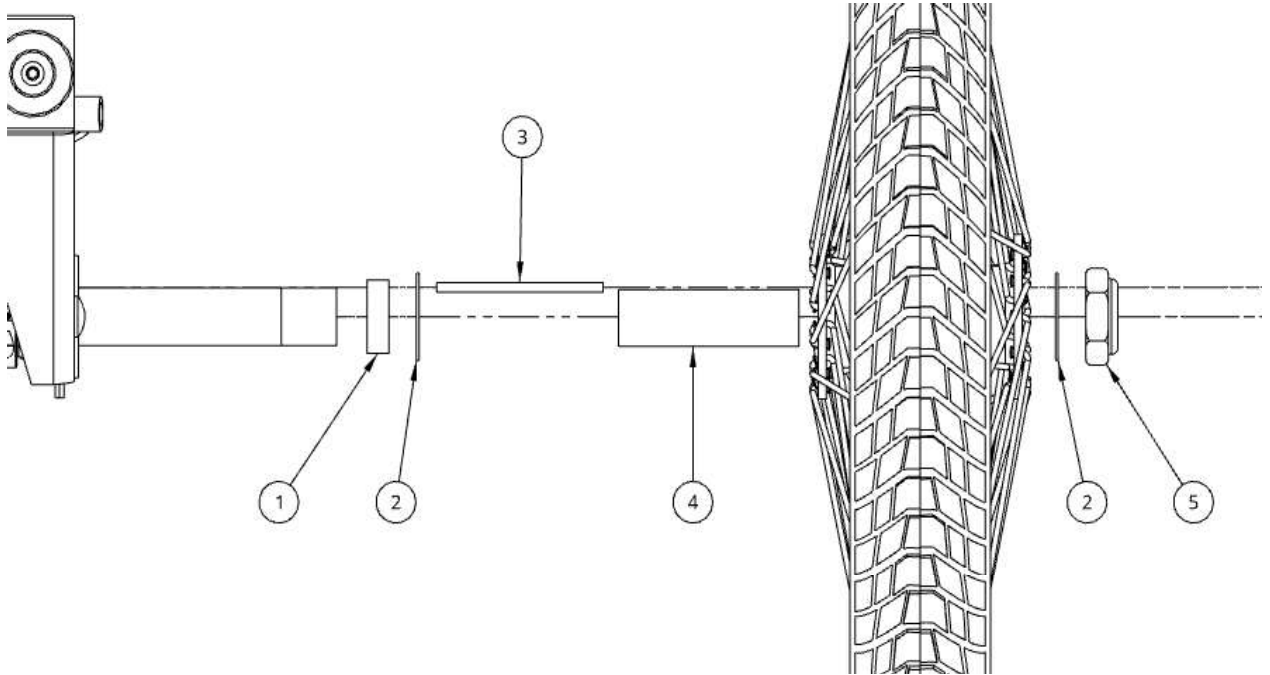
## TORQUE TABLE

Part	Torque Spec	Required Tool
Front Wheel Nut	40Nm	15mm
Rear Axle Nut	Tighten until no play is felt then an additional 30°	1-7/16"
Seatpost Clamp Bolt	3.5Nm	5mm Hex
Enviolo Mid-Drive Acorn Nuts	40Nm	15mm
Rear Chain Tensioner Nut	18.5Nm	5mm Hex
Crank Arm Bolt	40Nm	8mm Hex
Bosch Chainring Lockring	25-30Nm	Park Tool BBT-18
Front Brake Caliper Alignment Screw	8Nm	5mm Hex
Front Brake Caliper Bolt to Fork	8Nm	5mm Hex
Front Brake Lever Bolt	6Nm	4mm Hex
Front Wheel Brake Rotor Bolt	5Nm	T25 Torx
Brake Caliper Attachment Hardware (3/8"-16)	30Nm	9/16"
Rear Brake Lever Bolt	6Nm	T30 Torx
Differential Attachment Hardware (M8)	23Nm	13mm
Rear Axle Bearing Set Screw	20in-lbs	3mm Hex
Rear Axle Lock Collar Screw	10Nm	3/16" Hex
Stem Bolt	7Nm	4 or 6mm Hex
Fork Crown Bolt	7Nm	5mm Hex
Bosch Motor Mounting Bolt	20Nm	T40 Torx Plus
Box Latch Nut (M12)	10Nm	18mm

# WHEELS AND TIRES

## Rear Wheel Removal:

Tools Needed: 1-7/16" Wrench



1. Place Venture in Vertical Service Position
2. Remove Nylock Nut (5) with 1-7/16" Wrench
3. Pull wheel directly off bike

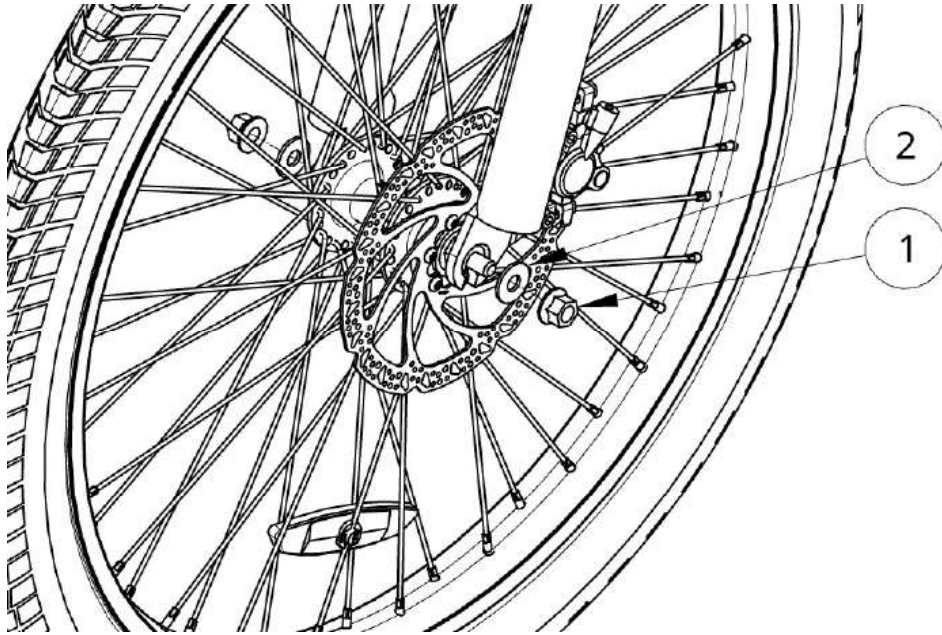
## Rear Wheel Replacement:

Tools Needed: 1-7/16" Wrench

1. Install hardware in the following order:
  - a. 10mm Axle Spacer (1)
  - b. 1" Thrust Washer (2)
  - c. Axle Key (3)
  - d. Wheel Shim if applicable (4)
  - e. Wheel (Speedometer magnet must face toward sensor on right rear wheel)
  - f. Second Thrust Washer (2)
  - g. 1"-14 Nylock Nut (5)
2. Tighten axle nut (5) until no play is felt in the wheel hub and then tighten an additional 30 degrees.

## Front Wheel Removal

Tools Needed: 15mm Wrench

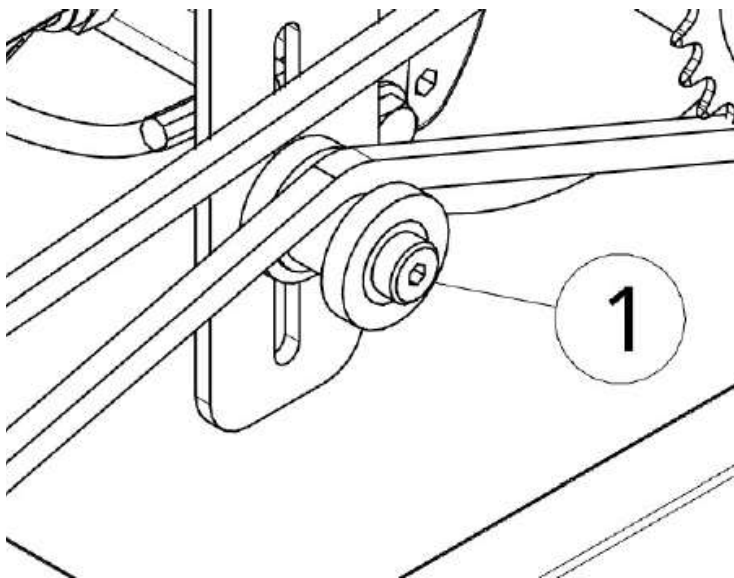


1. Place Venture in Vertical Service Position
2. Loosen front axle nuts (1) using 15mm wrench, remove washer (2) and pull wheel downward to separate from fork legs
3. Installation is the reverse of removal, tighten axle nuts to 40Nm.

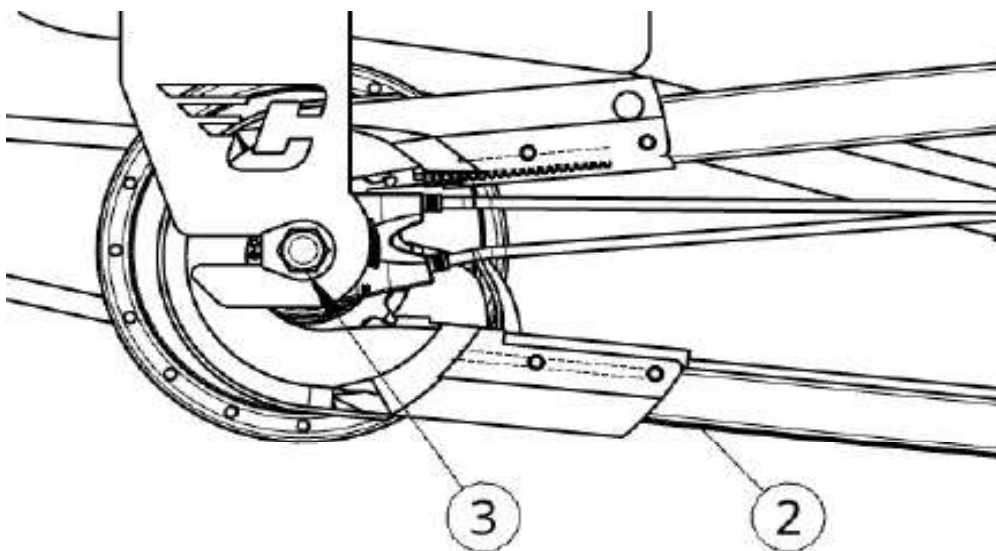
## CHAIN ADJUSTMENT

### Adjust Both Chains

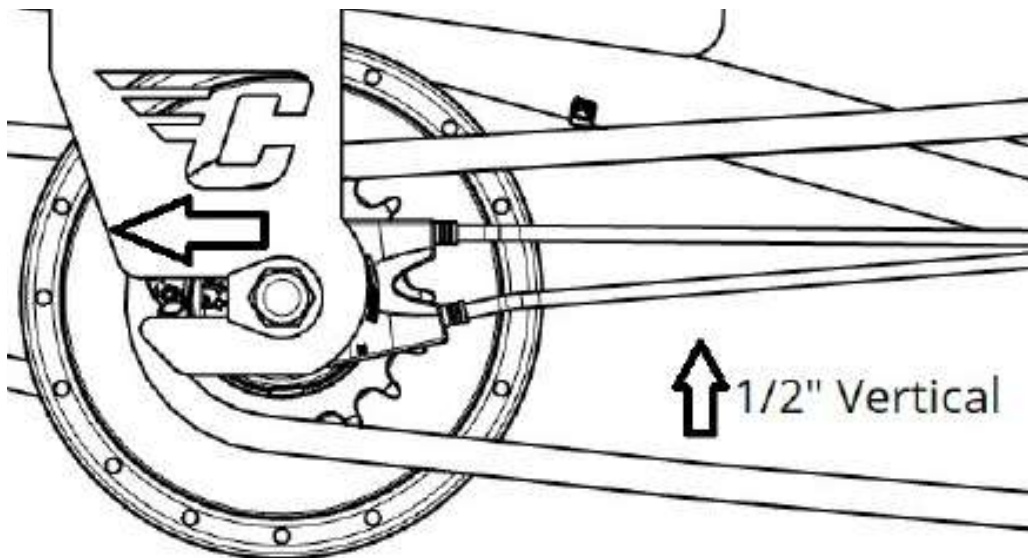
Tools Needed: 15mm Wrench, 13mm Wrench, 5mm Allen Wrench



1. With bike standing vertically, loosen the rear chain tensioner bolt (1) using 5mm Allen Wrench and 13mm Wrench.
2. Slide the tensioner down in the slot to release the chain tension.



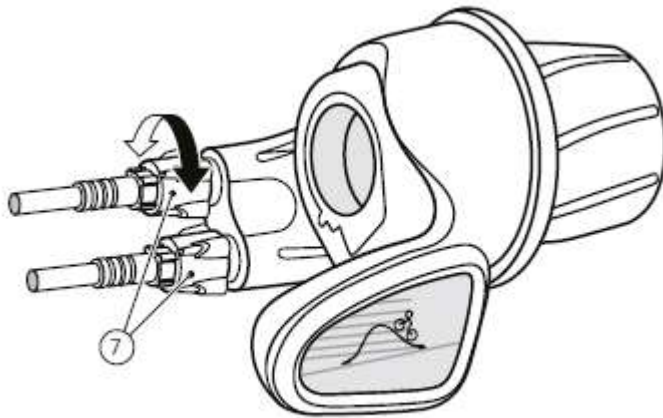
3. Remove the Chainglider (2)
4. Loosen mid-drive acorn nuts (3) with 15mm wrench.
5. Adjust the location of the Enviolo hub in the dropout to provide  $\frac{1}{2}$ " of vertical chain movement.



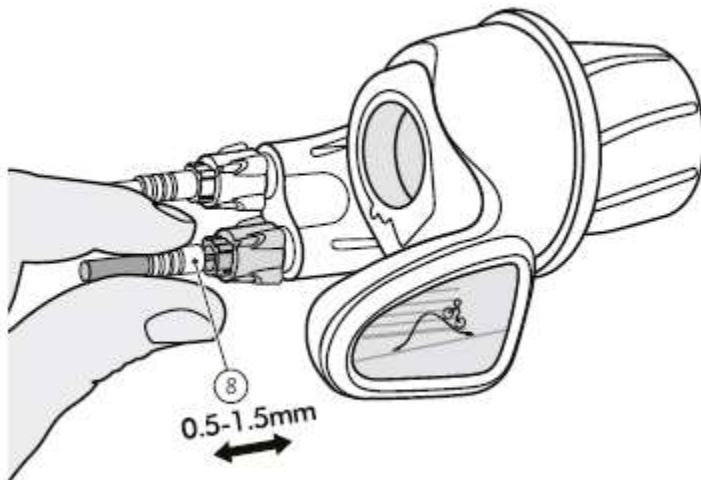
6. Make sure that hub is square in the dropout, and torque acorn nuts (3) to 40Nm.
7. Adjust rear chain tensioner to provide  $\frac{1}{2}$ " of vertical chain movement and torque to 18.5Nm.
8. Spin crank arms to make sure that both chains are running smoothly and reinstall the Chainglider.

# SHIFTER CABLE ADJUSTMENT

## Adjust Shifter Cables



1. Shifter cable slack can be adjusted with the barrel adjusters (7) at the controller.

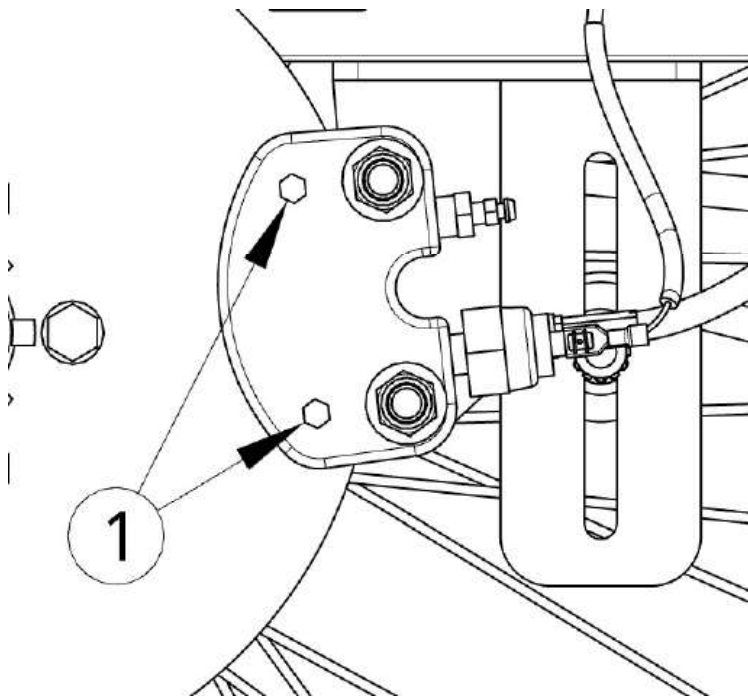


2. Cable slack can be determined by pulling lightly on the cable housing (8) at the controller and noticing any slack. Roughly 0.5mm of slack is ideal.
3. Cable slack of more than 2.0mm may cause decreased shift performance and shift cable durability.

## REAR BRAKE ADJUSTMENT

### Rear Brake Pad Adjustment:

Tools Needed: ¼" Allen Wrench



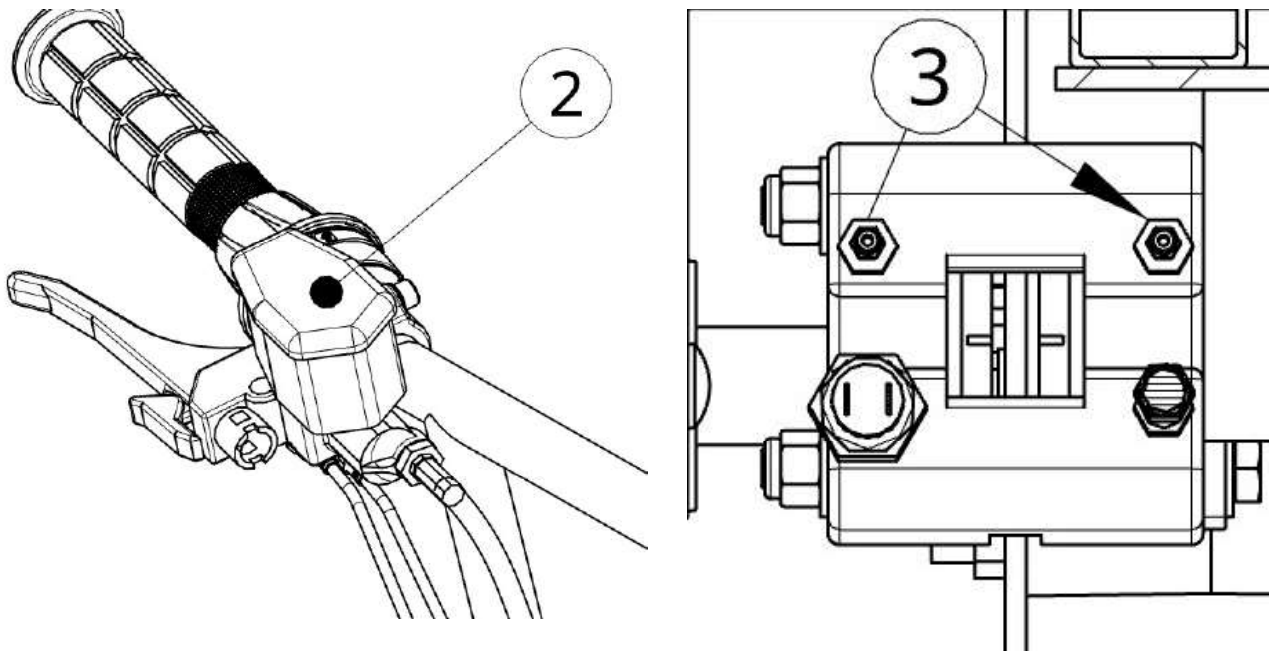
1. Place Venture in Vertical Service Position
2. The pads should be as close the rotor as possible without touching.
3. The pads on both sides of the caliper are adjusted in/out with the adjustment screws (1) using a ¼" Allen Wrench.
4. Due to brake rotor runout, spin the differential to check for pad contact in multiple locations.

## REAR BRAKE BLEEDING

### Bleeding the Rear Brake

**Tools Needed:** Two People, T25 Torx Wrench, ¼" Wrench, DOT3 Brake Fluid, ¼" ID Clear Tubing, Container for the old fluid

1. Brake fluid is a harsh chemical. Wear protective gloves and safety glasses when bleeding brakes. Be sure to cover any plastic and painted surfaces on bike to prevent spills from ruining the finish of your Venture.



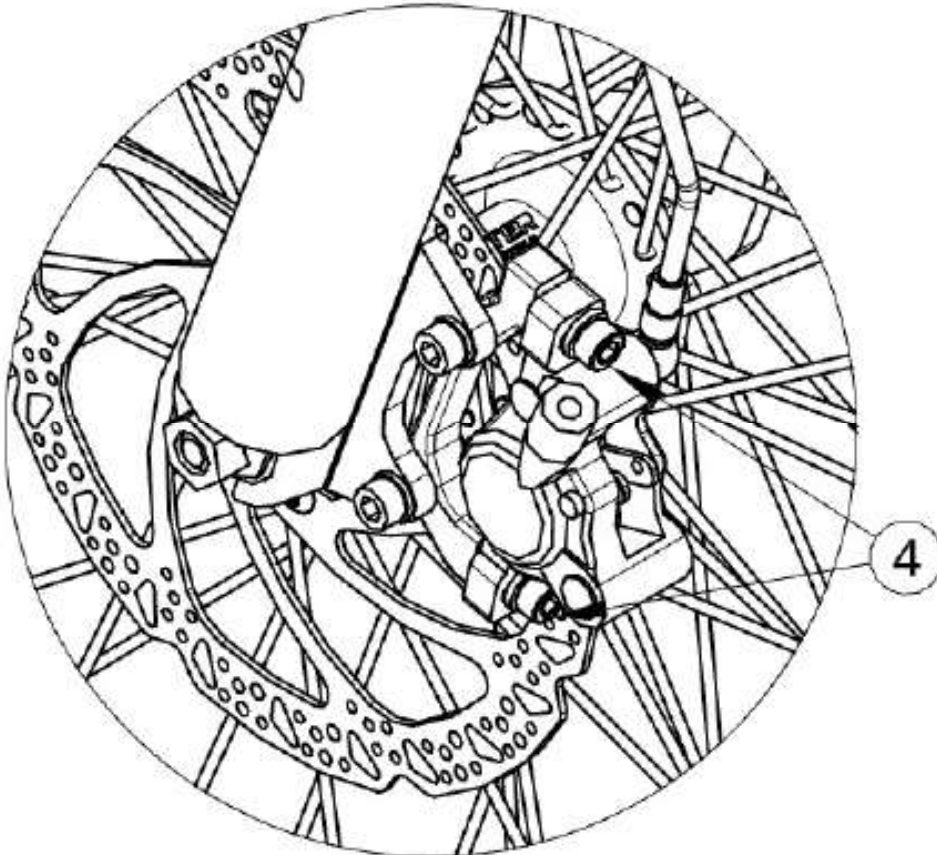
2. With the bike in the level position, remove the rear brake reservoir cap (2) using a T25 Torx Wrench
3. Transition to the rear caliper and remove the covers on both bleed valves (3)
4. Attach the tubing to one of the valves and place the other end in the catch bottle.
5. To begin the process, have one person squeeze the brake lever while the other opens the bleed valve ¼ turn with the ¼" Wrench. A mixture of air and brake fluid should be visible in the tubing.
6. Close the bleed valve and then slowly release the brake lever.
7. Repeat steps 5 and 6 until the fluid leaving the bleed valve is free of air.
8. Keep a close eye on the fluid level in the reservoir, add fluid as needed to keep the level above the indicated minimum on the reservoir.
9. When completed, add fluid to the maximum line on the reservoir and replace the cap.
10. Test the brakes in a controlled location before riding in traffic.



## FRONT BRAKE ADJUSTMENT

### Adjusting the Front Brake

Tools Needed: 5mm Hex Wrench



1. Loosen the front brake caliper screws (4) with a 5mm Hex Wrench then squeeze the front brake lever to align caliper. While continuing to hold the lever, tighten screws to 8Nm.

## CONTACT



### COASTER CYCLES

Coaster Cycles are proudly assembled in Montana, USA

We are pleased to be a part of the Made in Montana program.

### CONTACT

Coaster Cycles  
9257 Bonner Mill Rd  
Bonner, MT 59823  
info@coastercycles.com  
(406) 203-4422

coastercycles.com  
youtube.com/coastercycles  
facebook.com/coastercycles  
instagram @coastercycles  
twitter.com/coastercycles

### BATTERY DISPOSAL

Please do not dispose of batteries with household waste. Recycle all batteries, packaging, and parts in an environmentally friendly method.

You may recycle your Bosch battery pack by calling (800) 822-8837.

